

## EXU-S Technical Data

### Low Lift Pallet Truck with Driver's Stand-On Platform

---

EXU-S 22

EXU-S 22 Li-Ion

EXU-S 24

EXU-S 24 Li-Ion



# EXU-S Low Lift Pallet Truck with Driver's Stand-On Platform

## Robust and efficient

This specification sheet, which conforms to VDI guideline 2198, provides the technical values for the standard equipment only. Different tyres, other masts, additional equipment etc. may produce different figures.

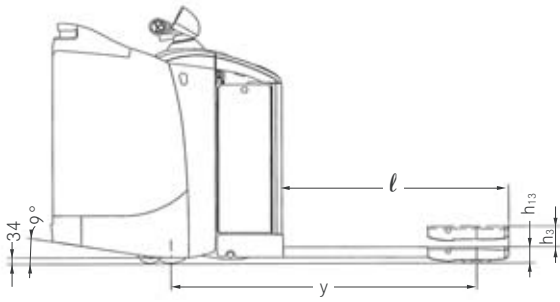


					STILL	STILL	STILL	STILL	
Features	1.1	Manufacturer			EXU-S 22/ Li-Ion	EXU-S 22/ Li-Ion	EXU-S 24/ Li-Ion	EXU-S 24/ Li-Ion	
	1.2	Manufacturer's type designation			Rear access	Side access	Rear access	Side access	
		Platform type			Electro		Electro		
	1.3	Drive			Standing		Standing		
	1.4	Operator type							
	1.5	Capacity/load	Q	kg	2200		2400		
	1.6	Load centre	c	mm	600		600		
	1.8	Load distance	x	mm	1023		1005		
	1.9	Wheel base	y	mm	1617		1599		
Weights	2.1	Service weight (incl. battery)		kg	1120		1150		
	2.2	Axle loading, laden	drive end/load end	kg	1500/1820		1317/2233		
	2.3	Axle loading, unladen	drive end/load end	kg	910/210		918/232		
Tyres/chassis	3.1	Tyres			Polyurethane		Polyurethane		
	3.2	Tyre size	drive end	mm	∅ 250 x 100		∅ 250 x 100		
	3.3	Tyre size	load end	mm	∅ 85 x 80		∅ 85 x 80		
	3.4	Support castors	drive end	mm	2 x ∅ 140 x 54		2 x ∅ 140 x 54		
	3.5	Number of wheels (x = driven)	drive end/load end		1x + 2/4		1x + 2/4		
	3.6	Tread	drive end/load end	b <sub>10</sub> /b <sub>11</sub>	mm	470/388		470/388	
Basic dimensions	4.4	Lift	h <sub>3</sub>	mm	130		130		
	4.8	Standing height (platform)	h <sub>7</sub>	mm	225		225		
	4.9	Height of tiller in driving position	min./max.	h <sub>14</sub>	mm	1030		1030	
	4.15	Height when lowered		h <sub>13</sub>	mm	85		85	
	4.19	Overall length without load		l <sub>1</sub>	mm	2415 <sup>1</sup>	2487 <sup>1</sup>	2415 <sup>1</sup>	2487 <sup>1</sup>
	4.20	Length to face of forks		l <sub>2</sub>	mm	1225 <sup>1</sup>	1297 <sup>1</sup>	1225 <sup>1</sup>	1297 <sup>1</sup>
	4.21	Total width		b <sub>1</sub>	mm	720		720	
	4.22	Fork dimensions		s/e/l	mm	55/172/1190		61/172/1190	
	4.25	Overall fork width		b <sub>5</sub>	mm	560		560	
	4.32	Ground clearance, centre of wheel base		m <sub>2</sub>	mm	30		30	
	4.34	Working aisle width with 800 x 1200 pallet lengthways (b <sub>12</sub> x l <sub>6</sub> )		A <sub>st</sub>	mm	2821 <sup>1</sup>	2890 <sup>1</sup>	2814 <sup>1</sup>	2883 <sup>1</sup>
4.34.1	Working aisle width with 1000 x 1200 pallet lengthways (b <sub>12</sub> x l <sub>6</sub> )		A <sub>st</sub>	mm	2791 <sup>1,2</sup>	2861 <sup>1,2</sup>	2781 <sup>1,2</sup>	2851 <sup>1,2</sup>	
4.35	Turning radius		W <sub>a</sub>	mm	2125 <sup>1</sup>	2195 <sup>1</sup>	2107 <sup>1</sup>	2177 <sup>1</sup>	
Performance	5.1	Travel speed	laden/unladen	km/h	10/12		9/12		
	5.2	Lift speed	laden/unladen	m/s	0.043/0.062		0.043/0.062		
	5.3	Lowering speed	laden/unladen	m/s	0.068/0.065		0.068/0.065		
	5.7	Gradeability	laden/unladen	%	10%/15%		9.3%/15%		
	5.9	Acceleration time (over 10 m)	laden/unladen	s	6.2/4.6		6.3/4.8		
5.10	Service brake				Electromagnetic		Electromagnetic		
Electric engine	6.1	Drive motor, rating S2 = 60 min		kW	3.0		3.0		
	6.2	Lift motor, rating at S3 = 15%		kW	2.2		2.2		
	6.3	Battery according to DIN 43531/35/36; A, B, C, no			No		No		
	6.4	Battery voltage/nominal capacity K <sub>5</sub>		V/Ah	24/465 // Li-Ion 24/410		24/465 // Li-Ion 24/410		
	6.5	Battery weight ±5% (depends on make)		kg	405		405		
	6.6	Energy consumption according to VDI cycle		kWh/h	1.05		1.07		
Misc.	8.1	Drive control			AC control		AC control		
	8.4	Sound level at driver's ear		dB(A)	<65		<65		

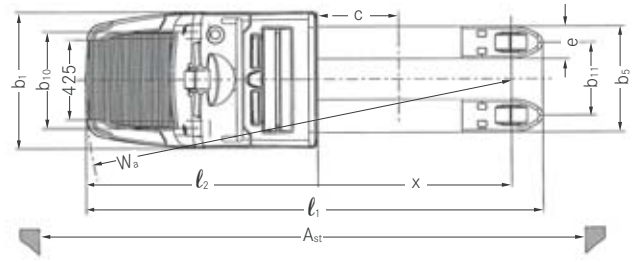
<sup>1</sup> With 600 Ah battery compartment: + 85 mm

<sup>2</sup> Values calculated for a fork length of 990 mm

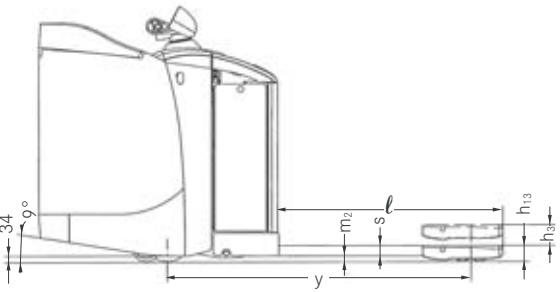
EXU-S Low Lift Pallet Truck with Driver's Stand-On Platform  
 Technical Drawings



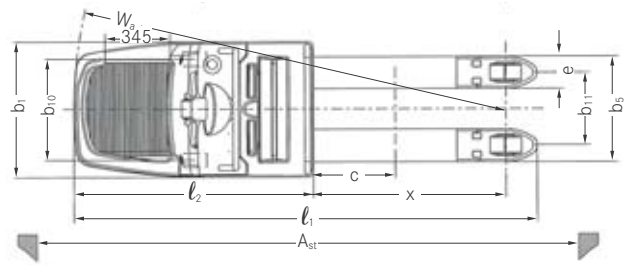
EXU-S side view with rear access



EXU-S top view with rear access



EXU-S side view with side access



EXU-S top view with side access

Turning Radius Table

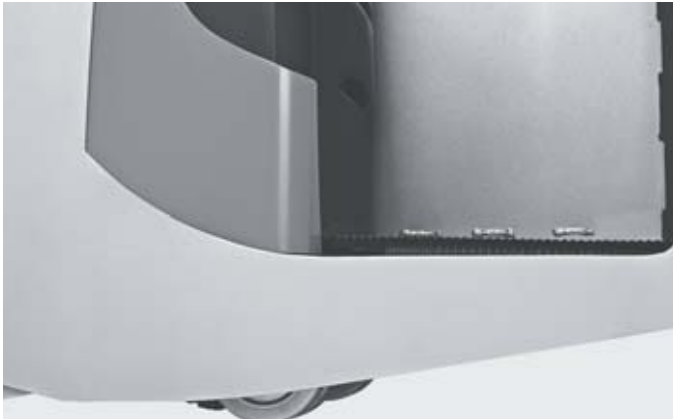
Turning radius  $W_a$  for determining the working aisle width

			Rear access			Side access			
			Battery compartment	410 Ah Li-Ion	465 Ah	600 Ah	410 Ah Li-Ion	465 Ah	600 Ah
EXU-S 22 / EXU-S 22 Li-Ion	<b>Fork length <math>l</math></b>		Distance x						
	990	mm	823	2038	2038	2123	2108	2108	2193
	1190	mm	1023	2238	2238	2323	2308	2308	2393
	1600	mm	1433	2648	2648	2733	2718	2718	2803
EXU-S 24 / EXU-S 24 Li-Ion			Battery compartment	410 Ah Li-Ion	465 Ah	600 Ah	410 Ah Li-Ion	465 Ah	600 Ah
	<b>Fork length <math>l</math></b>		Distance x						
	990	mm	805	2020	2020	2105	2090	2090	2175
	1190	mm	1005	2220	2220	2305	2290	2290	2375
	1600	mm	1415	2630	2630	2715	2700	2700	2785
	2390 <sup>1</sup>	mm	2205	3420	3420	3505	3490	3490	3575
2390 <sup>2</sup>	mm	1847	3062	3062	3147	3132	3132	3217	

<sup>1</sup> Wheel base suitable for lifting three Euro pallets crossways

<sup>2</sup> Wheel base suitable for lifting two Euro pallets lengthways

## EXU-S Low Lift Pallet Truck with Driver's Stand-On Platform Detailed Photos



Built for ramps: slanted chassis design allows the truck to travel on ramps of up to 9°



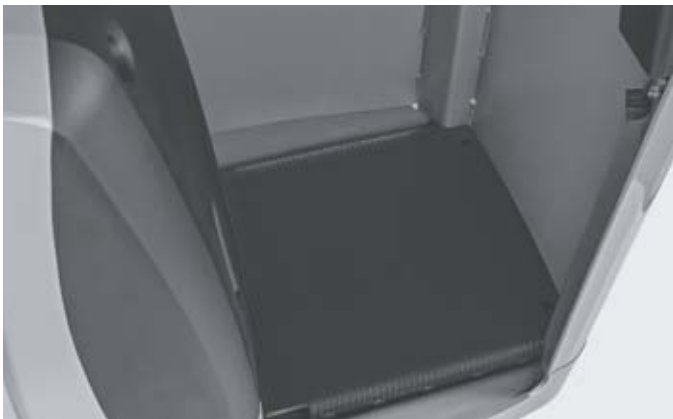
Ultimate availability: either with lateral lead-acid battery changing as standard, for fast, safe replacement, or with interim charging of a lithium-ion battery



Everything permanently within reach: thanks to the STILL COCKPIT, both left and right-handed users can intuitively operate all of the truck's functions using ergonomic control elements



Comfortable even over long distances: left-hand side access means the driver can lean back during long stretches of driving



Comfortable driving: cushioned stand-on platform for the driver improves ability to concentrate



High pallet reloading rate: fast and precise operation thanks to rounded fork tips for easy threading into the pallets



Outstanding for double-sided order picking: with rear access, both sides are quickly within reach, which saves time



Comfortable, no matter the distance: over long stretches, the driver can lean back on the backrest, allowing them to work in a more relaxed position

EXU-S Low Lift Pallet Truck with Driver's Stand-On Platform  
Robust and efficient



## EXU-S Low Lift Pallet Truck with Driver's Stand-On Platform Robust and efficient

---

High pallet reloading rate, with a top speed of 12 km/h  
and compact dimensions

Long-lasting lifespan: battery capacity of up to 620 Ah  
and also available with lithium-ion battery at up to 410 Ah

Fast and safe: fully electric steering with electronic filtering of  
unwanted steering movements

Enhanced manoeuvrability on ramps due to the slanted chassis



### EXU-S

---

STILL's EXU-S series of low lift pallet trucks with driver's stand-on platform have been specially designed for the loading and unloading of HGVs using ramps. The slanted chassis mitigates the risk of becoming stuck or jammed on ramp transitions and ensures swift, safe movement on ramps. Steering is particularly smooth, while also offering manoeuvrability in even the narrowest of spaces. The trucks are available in two different platform designs. The side access model delivers optimal driver comfort and safety for handling work and horizontal transport over long distances, while the rear access model is the ideal choice for any application that requires the operator to regularly get on and off the truck.

### EXU-S Li-Ion

---

The EXU Li-Ion is an efficient and compact bundle of energy which guarantees optimum availability. Not only is interim charging of the low lift pallet truck possible, but the charging process itself is significantly quicker than that of conventional lead acid batteries – the lithium-ion battery can be charged to 60 percent in just 40 minutes. What's more, the lithium-ion battery lasts around twice as long as a lead acid battery, is maintenance-free and can be used in a cold store. This groundbreaking technology is also setting new standards with regard to safety. Every battery cell is monitored in real time. In short, the EXU-S Li-Ion is the ideal low lift pallet truck for extended periods of operation in industry, the retail market and logistics.

## Extensive Equipment

---

### Power

---

- Specially developed frame allows for rapid loading and unloading of HGVs, as well as fast and safe movement on ramps
- Maintenance-free, enclosed 3 kW three-phase drive motor with a maximum driving speed of 12 km/h is perfect for middle to long distances. The powerful 2.2 kW lift motor ensures optimal efficiency when lifting and lowering loads
- Low maintenance, long-lived batteries with a capacity of up to 620 Ah offer high availability. Also available with lithium-ion battery of up to 410 Ah for particularly intensive applications

### Precision

---

- Fatigue-free, precise and safe working conditions – even in the narrowest of spaces – thanks to smooth electric steering
- High reloading performance: rounded, cast iron fork tips enable swift threading into pallets
- Reliability guaranteed: compact design delivers excellent manoeuvrability as well as precise, smooth driving in a straight line

### Ergonomics

---

- Fatigue-free operation: fully sprung stand-on platform guarantees vibration-free operation, allowing the driver to concentrate on their work
- Optimal driver comfort: an ideal lateral support and upholstered backrest ensure the driver's comfort – even over long distances
- The chassis is available in either side access or rear access models if desired

### Compactness

---

- Tilted chassis ensures fantastic manoeuvrability on ramps without becoming stuck or jammed on the ramp's transition
- Precise and mobile: compact dimensions allow for fast, safe work in even the tightest of spaces

### Safety

---

- Automated speed reduction and twin support castors ensure safe handling around corners
- As soon as the operator lets go of the COCKPIT control element or steps off the truck, the brakes are automatically applied

### Environmental Responsibility

---

- Low operating costs: low energy costs and long service intervals
- Optimal energy efficiency: ECO driving mode reduces electricity consumption without affecting productivity
- Over 95 percent of all materials used are recyclable

# EXU-S Low Lift Pallet Truck with Driver's Stand-On Platform Equipment Variants



		EXU-S 22	EXU-S 24	EXU-S Li-Ion
Driver's cab	Driver platform with upholstered backrest in side access version	●	●	●
	Cushioned driver stand-on platform	●	●	●
	Access from the left side	○	○	○
	Access from the rear	○	○	○
	Accessories bracket on the drive side	○	○	○
	Adjustable DIN A4 writing pad	○	○	○
Basic dimensions	External width b <sub>5</sub> = 520 mm	○	○	○
	External width b <sub>5</sub> = 560 mm	●	●	●
	External width b <sub>5</sub> = 670 mm	○	○	○
	Various fork lengths	○	○	○
Tyres	Load rollers, polyurethane, single	○	○	○
	Load rollers, polyurethane, tandem	●	●	●
	Load rollers, polyurethane, single, lubricated axles and lifting link	○	○	○
	Load rollers, polyurethane, tandem, lubricated axles and lifting link	○	○	○
	Drive wheel, polyurethane	●	●	●
	Drive wheel, polyurethane, profiled	○	○	○
	Stabilising wheel, single	○	○	○
	Stabilising wheel, twin	●	●	●
Battery system	Battery compartment for 345-465 Ah batteries with roller track	●	●	—
	Battery compartment for 480-620 Ah batteries with roller track	○	○	—
	Battery compartment for 205 Ah li-ion battery	—	—	●
	Battery compartment for 410 Ah li-ion battery	—	—	○
	Sheet steel battery cover	○	○	○
Safety and performance	Load backrest with a height of 1200 mm	○	○	○
	Load backrest with a height of 1800 mm	○	○	○
	FleetManager: access authorisation, shock detection, reports	○	○	○
	Shock detection with simultaneous activation of creep-speed mode	○	○	○
	Access control using digital codes	●	●	●
	Curve speed control	●	●	●
	Characteristic curve optimised start-up	●	●	●
	Maximum start-up with maximum driving speed	○	○	○
Additional equipment	Cold store version down to -30 °C with exchangeable insert	○	○	○
	Operating hours counter	●	●	●
	Provision for material flow management system (MMS)	○	○	○
	Data transfer using Bluetooth	○	○	○
	Data transfer using GPRS	○	○	○

● Standard ○ Optional — Not available

# Smart Forxx SIA



## Contact us

If you have any questions or if you want more information we are at your disposal.

61 Matisa, Apt. 24  
Riga LV-1009  
Latvia

### Sales department:

Tel.: +371 29 507 102

### Service department:

Tel.: +371 29 632 267

### E-mail:

[info@smartforxx.lv](mailto:info@smartforxx.lv)

### Online services:

[www.smartforxx.lv](http://www.smartforxx.lv)