

## EXV-SF Technical Data

### High Lift Pallet Truck with Stand-on Platform

---

EXV-SF 14

---

EXV-SF 16

---

EXV-SF 20

---



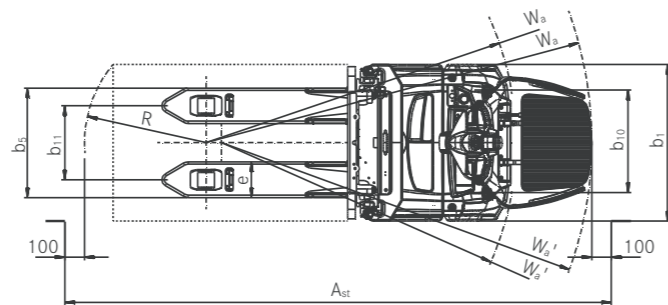
reddot award 2016  
winner

first in intralogistics

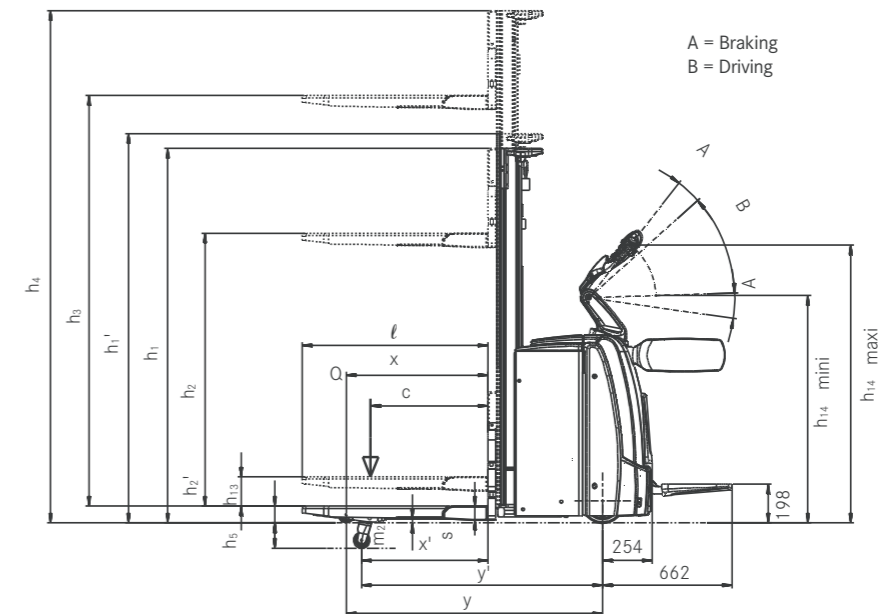


| Distinguishing marks |  | STILL              | STILL  | STILL  | STILL  | STILL  | STILL  | STILL   |
|----------------------|--|--------------------|--|--|--|--|--|---|
| 1.1                  | Manufacturer   |                    | STILL  | STILL  | STILL  | STILL  | STILL  | STILL   |
| 1.2                  | Manufacturer's type designation                      |                    | <b>EXV-SF 14</b>   | <b>EXV-SF 14i</b>  | <b>EXV-SF 16</b>   | <b>EXV-SF 16i</b>  | <b>EXV-SF 20</b>   | <b>EXV-SF 20i</b>   |
| 1.3                  | Drive  |                    | Electric   | Electric   | Electric   | Electric   | Electric   | Electric  |
| 1.4                  | Operator type  |                    | Pedestrian/standing  | Pedestrian/standing  | Pedestrian/standing  | Pedestrian/standing  | Pedestrian/standing  | Pedestrian/standing   |
| 1.5                  | Rated capacity/rated load                            | Q                  | kg 1400  | kg 1400 (2000) <sup>1</sup>                                    | kg 1600  | kg 1600 (2000) <sup>1</sup>                                    | kg 2000  | kg 2000 (2000) <sup>1</sup>                                     |
| 1.6                  | Load centre distance                                 | c                  | mm 600   | mm 600   | mm 600   | mm 600   | mm 600   | mm 600  |
| 1.8                  | Load distance, centre of drive axle to fork          | x                  | mm 724 <sup>2</sup>  | mm 724 <sup>2</sup> /646 <sup>2,3</sup>                        | mm 724 <sup>2</sup>  | mm 724 <sup>2</sup> /646 <sup>2,3</sup>                        | mm 724 <sup>2</sup>  | mm 724 <sup>2</sup> /646 <sup>2,3</sup>                         |
| 1.9                  | Wheel base   | y                  | mm 1311 <sup>4</sup>   | mm 1311 <sup>4</sup> /1233 <sup>3,4</sup>                      | mm 1311 <sup>4</sup>   | mm 1311 <sup>4</sup> /1233 <sup>3,4</sup>                      | mm 1425  | mm 1425/1347 <sup>3</sup>                                       |
| 2.1                  | Service weight (incl. battery)                       |                    | kg 1258  | kg 1229  | kg 1258  | kg 1229  | kg 1575  | kg 1508   |
| 2.2                  | Axle loading, laden                                  | drive end/load end | kg 1040/1619   | kg 971/1658  | kg 1059/1800   | kg 979/1850  | kg 1384/2191   | kg 1213/2295  |
| 2.3                  | Axle loading, unladen                                | drive end/load end | kg 955/304   | kg 962/268   | kg 955/304   | kg 962/268   | kg 1141/434  | kg 1096/412   |
| 3.1                  | Tyres  |                    | Polyurethane   | Polyurethane   | Polyurethane   | Polyurethane   | Polyurethane   | Polyurethane  |
| 3.2                  | Tyre size  | drive end          | mm $\varnothing$ 230 x 90                                      | mm $\varnothing$ 230 x 90                                      | mm $\varnothing$ 230 x 90                                      | mm $\varnothing$ 230 x 90                                      | mm $\varnothing$ 230 x 90                                      | mm $\varnothing$ 230 x 90                                       |
| 3.3                  | Tyre size  | load end           | mm $\varnothing$ 85 x 85 ( $\varnothing$ 85 x 60) <sup>6</sup> | mm $\varnothing$ 85 x 85 ( $\varnothing$ 85 x 60) <sup>6</sup> | mm $\varnothing$ 85 x 85 ( $\varnothing$ 85 x 60) <sup>6</sup> | mm $\varnothing$ 85 x 85 ( $\varnothing$ 85 x 60) <sup>6</sup> | mm $\varnothing$ 85 x 85 ( $\varnothing$ 85 x 60) <sup>6</sup> | mm $\varnothing$ 85 x 105 ( $\varnothing$ 85 x 80) <sup>6</sup> |
| 3.4                  | Support castor size                                  |                    | mm $\varnothing$ 150 x 50                                      | mm $\varnothing$ 150 x 50                                      | mm $\varnothing$ 150 x 50                                      | mm $\varnothing$ 150 x 50                                      | mm 2x $\varnothing$ 140 x 50                                   | mm 2x $\varnothing$ 140 x 50                                    |
| 3.5                  | Number of wheels (x = driven)                        | drive end/load end | 1x + 1/2 (1x + 1/4) <sup>6</sup>                               | 1x + 1/2 (1x + 1/4) <sup>6</sup>                               | 1x + 1/2 (1x + 1/4) <sup>6</sup>                               | 1x + 1/2 (1x + 1/4) <sup>6</sup>                               | 1x + 1/2 (1x + 1/4) <sup>6</sup>                               | 1x + 1/2 (1x + 1/4) <sup>6</sup>                                |
| 3.6                  | Tread  | drive end/load end | b <sub>10</sub> /b <sub>11</sub> mm 534/380                    | mm 534/380   | mm 534/380   | mm 534/380   | mm 534/370   | mm 534/370  |
| 4.2                  | Height   | mast lowered       | h <sub>1</sub> mm  | See mast table   |  | See mast table   |  | See mast table  |
| 4.3                  | Free lift  |                    | h <sub>2</sub> mm  | See mast table   |  | See mast table   |  | See mast table  |
| 4.4                  | Lift   |                    | h <sub>3</sub> mm  | See mast table   |  | See mast table   |  | See mast table  |
| 4.5                  | Height   | mast extended      | h <sub>4</sub> mm  | See mast table   |  | See mast table   |  | See mast table  |
| 4.6                  | Initial lift   |                    | h <sub>5</sub> mm -  | mm 110   | mm -   | mm 110   | mm -   | mm 110  |
| 4.9                  | Height drawbar in driving position                   | min./max.          | h <sub>14</sub> mm 1175/1380                                   | mm 1175/1380   | mm 1175/1380   | mm 1175/1380   | mm 1175/1380   | mm 1175/1380  |
| 4.15                 | Fork height, lowered                                 |                    | h <sub>13</sub> mm 86  | mm 86  | mm 86  | mm 86  | mm 86  | mm 86   |
| 4.19                 | Overall length                                       |                    | l <sub>1</sub> mm 1993 <sup>2,4</sup> /2401 <sup>2,4,7</sup>   | mm 1993 <sup>2,4</sup> /2401 <sup>2,4,7</sup>                  | mm 1993 <sup>2,4</sup> /2401 <sup>2,4,7</sup>                  | mm 1993 <sup>2,4</sup> /2401 <sup>2,4,7</sup>                  | mm 2108 <sup>2</sup> /2516 <sup>2,7</sup>                      | mm 2108 <sup>2</sup> /2516 <sup>2,7</sup>                       |
| 4.20                 | Length to face of forks                              |                    | l <sub>2</sub> mm 843 <sup>2,4</sup> /1251 <sup>2,4,7</sup>    | mm 843 <sup>2,4</sup> /1251 <sup>2,4,7</sup>                   | mm 843 <sup>2,4</sup> /1251 <sup>2,4,7</sup>                   | mm 843 <sup>2,4</sup> /1251 <sup>2,4,7</sup>                   | mm 958 <sup>2</sup> /1366 <sup>2,7</sup>                       | mm 958 <sup>2</sup> /1366 <sup>2,7</sup>                        |
| 4.21                 | Overall width  |                    | b <sub>1</sub> mm 800  | mm 800   | mm 800   | mm 800   | mm 810   | mm 810  |
| 4.22                 | Fork dimensions                                      | s/e/l              | mm 55 <sup>8</sup> /182/1150                                   | mm 55 <sup>8</sup> /182/1150                                   | mm 55 <sup>8</sup> /182/1150                                   | mm 55 <sup>8</sup> /182/1150                                   | mm 73 <sup>8</sup> /210/1150                                   | mm 73 <sup>8</sup> /210/1150                                    |
| 4.24                 | Fork carriage width                                  | b <sub>3</sub>     | mm 780   | mm 780   | mm 780   | mm 780   | mm 780   | mm 780  |
| 4.25                 | Distance between fork arms                           | b <sub>5</sub>     | mm 560/680   | mm 560/680   | mm 560/680   | mm 560/680   | mm 580/680-570 <sup>8</sup>                                    | mm 580/680-570 <sup>8</sup>                                     |
| 4.32                 | Ground clearance, centre of wheel base               | m <sub>2</sub>     | mm 30  | mm 20/110 <sup>3</sup>   | mm 30  | mm 20/110 <sup>3</sup>   | mm 20  | mm 20/110 <sup>3</sup>  |
| 4.34                 | Working aisle width for pallet 800 x 1200 lengthways | A <sub>st</sub>    | mm 2406 <sup>4</sup> /2795 <sup>4,7</sup>                      | mm 2390 <sup>3,4</sup> /2777 <sup>3,4,7</sup>                  | mm 2406 <sup>4</sup> /2795 <sup>4,7</sup>                      | mm 2390 <sup>3,4</sup> /2777 <sup>3,4,7</sup>                  | mm 2519 <sup>5</sup> /2909 <sup>5,7</sup>                      | mm 2503 <sup>3,5</sup> /2892 <sup>5,7</sup>                     |
| 4.35                 | Turning radius                                       | W <sub>a</sub>     | mm 1584 <sup>4</sup> /1973 <sup>4,7</sup>                      | mm 1507 <sup>3,4</sup> /1894 <sup>3,4,7</sup>                  | mm 1584 <sup>4</sup> /1973 <sup>4,7</sup>                      | mm 1507 <sup>3,4</sup> /1894 <sup>3,4,7</sup>                  | mm 1697 <sup>5</sup> /2087 <sup>5,7</sup>                      | mm 1620 <sup>3</sup> /2009 <sup>3,5,7</sup>                     |
| 5.1                  | Travel speed   | laden/unladen      | km/h 4.0/4.0 6.0/6.0 8.0/10.0 <sup>7</sup>                     | km/h 4.0/4.0 6.0/6.0 8.0/10.0 <sup>7</sup>                     | km/h 4.0/4.0 6.0/6.0 8.0/10.0 <sup>7</sup>                     | km/h 4.0/4.0 6.0/6.0 8.0/10.0 <sup>7</sup>                     | km/h 4.0/4.0 6.0/6.0 8.0/10.0 <sup>7</sup>                     | km/h 4.0/4.0 6.0/6.0 8.0/10.0 <sup>7</sup>                      |
| 5.2                  | Lift speed   | laden/unladen      | m/s 0.16/0.30  | m/s 0.16/0.30  | m/s 0.15/0.30  | m/s 0.15/0.30  | m/s 0.15/0.30  | m/s 0.15/0.30   |
| 5.3                  | Lowering speed                                       | laden/unladen      | m/s 0.40/0.35  | m/s 0.40/0.35  | m/s 0.40/0.35  | m/s 0.40/0.35  | m/s 0.31/0.31  | m/s 0.31/0.31   |
| 5.8                  | Max. gradeability kB 5                               | laden/unladen      | % 9.2 <sup>9</sup> /9.2 <sup>9</sup>                           | % 10.0/22.0  | % 9.2 <sup>9</sup> /9.2 <sup>9</sup>                           | % 10.0/22.0  | % 5.6 <sup>9</sup> /5.6 <sup>9</sup>                           | % 8.0/23.0  |
| 5.10                 | Service brake  |                    | Electromagnetic  | Electromagnetic  | Electromagnetic  | Electromagnetic  | Electromagnetic  | Electromagnetic   |
| 6.1                  | Drive motor, rating S2 = 60 min                      |                    | kW 2.3   | kW 2.3   | kW 2.3   | kW 2.3   | kW 2.3   | kW 2.3  |
| 6.2                  | Lift motor, rating at S3 = 15%                       |                    | kW 3.2   | kW 3.2   | kW 3.2   | kW 3.2   | kW 3.2   | kW 3.2  |
| 6.3                  | Battery according to DIN 43531/35/36 A, B, C, no     |                    | 2PzS   | 2PzS   | 2PzS   | 2PzS   | 3PzS   | 3PzS  |
| 6.4                  | Battery voltage/rated capacity K <sub>s</sub>        |                    | V/Ah 24/230  | V/Ah 24/230  | V/Ah 24/230  | V/Ah 24/230  | V/Ah 24/345  | V/Ah 24/345   |
| 6.5                  | Battery weight ±5% (depends on make)                 |                    | kg 212   | kg 212   | kg 212   | kg 212   | kg 288   | kg 288  |
| 6.6                  | Energy consumption according to VDI cycle            |                    | kWh/h 1.18   | kWh/h 1.27   | kWh/h 1.19   | kWh/h 1.29   | kWh/h 1.48   | kWh/h 1.62  |
| 8.1                  | Drive control  |                    | AC control   | AC control   | AC control   | AC control   | AC control   | AC control  |
| 8.4                  | Sound level at driver's ear                          |                    | dB(A) ≤66  | dB(A) ≤66  | dB(A) ≤66  | dB(A) ≤66  | dB(A) ≤66  | dB(A) ≤66   |

- <sup>1</sup> Transpallet capacity on the load arm
- <sup>2</sup> With telescopic or HiLo mast (x -26 mm; l<sub>1</sub>, l<sub>2</sub> +26 mm with triplex mast)
- <sup>3</sup> Wheel arms raised
- <sup>4</sup> +75 mm with 3PzS and +150 mm with 4PzS
- <sup>5</sup> With triplex mast 4,476 mm and battery weight 302 kg
- <sup>6</sup> Truck fitted with tandem rollers
- <sup>7</sup> Platform lowered
- <sup>8</sup> Preferred while using grid box; a carriage with forks thickness s = 71 mm is also available
- <sup>9</sup> Geometric limit on unrounded vertex slope



Top view



Side view

# EXV-SF High Lift Pallet Truck with Stand-on Platform Mast Tables



| EXV-SF 14 - EXV-SF 14i -<br>EXV-SF 16 - EXV-SF 16i        | Telescopic mast                                 |                |      |                   |                   |      |      |      |      |
|---|---|----------------|------|-------------------|-------------------|------|------|------|------|
|   | EXV-SF 14 - EXV-SF 14i - EXV-SF 16 - EXV-SF 16i |                |      |                   |                   |      |      |      |      |
|   | Height  | h <sub>1</sub> | mm   | 1415 <sup>2</sup> | 1665 <sup>2</sup> | 1915 | 2115 | 2365 | 2565 |
| Mast height with used free lift (h <sub>3</sub> = 150 mm) | h <sub>1</sub> <sup>1</sup>                     | mm             | 1490 | 1740              | 1990              | 2190 | 2440 | 2640 | 2890 |
| Free lift <sup>1</sup>                                    | h <sub>2</sub>                                  | mm             | 150  | 150               | 150               | 150  | 150  | 150  | 150  |
| Lift  | h <sub>3</sub>                                  | mm             | 1844 | 2344              | 2844              | 3244 | 3744 | 4144 | 4644 |
| Height, mast extended                                     | h <sub>4</sub>                                  | mm             | 2930 | 3430              | 3930              | 4330 | 4830 | 5230 | 5730 |

| EXV-SF 14 - EXV-SF 14i -<br>EXV-SF 16 - EXV-SF 16i | HiLo mast                                       |                |      |                   |                   |      | Triplex mast |      |      |                   |      |      |      |      |      |
|--|---|----------------|------|-------------------|-------------------|------|--------------|------|------|-------------------|------|------|------|------|------|
|  | EXV-SF 14 - EXV-SF 14i - EXV-SF 16 - EXV-SF 16i |                |      |                   |                   |      |              |      |      |                   |      |      |      |      |      |
|  | Height  | h <sub>1</sub> | mm   | 1415 <sup>2</sup> | 1665 <sup>2</sup> | 1915 | 2115         | 2365 | 2565 | 1665 <sup>2</sup> | 1915 | 2065 | 2165 | 2265 | 2315 |
| Free lift  | h <sub>2</sub>                                  | mm             | 329  | 579               | 829               | 1029 | 1279         | 1479 | 579  | 829               | 979  | 1079 | 1179 | 1229 | 1279 |
| Lift   | h <sub>3</sub>                                  | mm             | 1844 | 2344              | 2844              | 3244 | 3744         | 4144 | 3516 | 4266              | 4716 | 5016 | 5316 | 5466 | 5616 |
| Height, mast extended                              | h <sub>4</sub>                                  | mm             | 2930 | 3430              | 3930              | 4330 | 4830         | 5230 | 4602 | 5352              | 5802 | 6102 | 6402 | 6552 | 6702 |

<sup>1</sup> With increased mast height h<sub>1</sub><sup>1</sup>

<sup>2</sup> Mast not available with battery tray 2PzS and 3PzS (replacement using crane)

| EXV-SF 20 -<br>EXV-SF 20i                                 | Telescopic mast             |                |      |      | HiLo mast |      |      | Triplex mast |      |      |      |      |
|---|-----------------------------|----------------|------|------|-----------|------|------|--------------|------|------|------|------|
|   | EXV-SF 20 - EXV-SF 20i      |                |      |      |           |      |      |              |      |      |      |      |
|   | Height                      | h <sub>1</sub> | mm   | 1915 | 2115      | 2365 | 1915 | 2115         | 2365 | 1665 | 1915 | 2065 |
| Mast height with used free lift (h <sub>3</sub> = 150 mm) | h <sub>1</sub> <sup>1</sup> | mm             | 1990 | 2190 | 2440      | -    | -    | -            | -    | -    | -    | -    |
| Free lift   | h <sub>2</sub>              | mm             | -    | -    | -         | 749  | 949  | 1199         | 499  | 749  | 899  | -    |
| Free lift <sup>1</sup>                                    | h <sub>2</sub>              | mm             | 150  | 150  | 150       | -    | -    | -            | -    | -    | -    | -    |
| Lift  | h <sub>3</sub>              | mm             | 2684 | 3084 | 3584      | 2684 | 3084 | 3584         | 3276 | 4026 | 4476 | -    |
| Height, mast extended                                     | h <sub>4</sub>              | mm             | 3850 | 4250 | 4750      | 3850 | 4250 | 4750         | 4442 | 5192 | 5642 | -    |

<sup>1</sup> With increased mast height h<sub>1</sub><sup>1</sup>



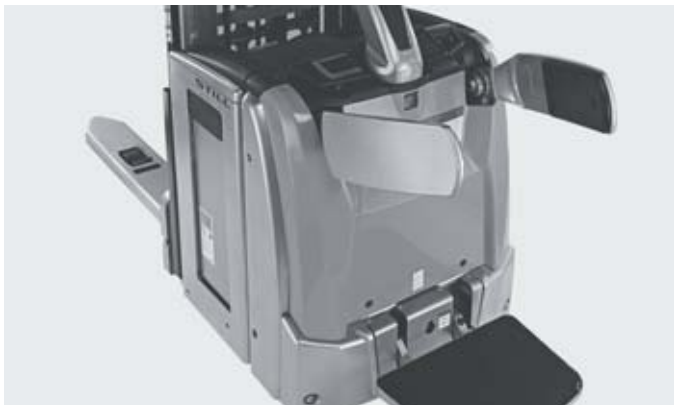
EXV-SF High Lift Pallet Truck with Stand-on Platform  
Detailed Photos



Everything in view, all the time: colour display with a range of language-independent symbols shows you all of the important functions at a glance



Safe even when cornering: automatic speed reduction around corners



Reduces back strain: air suspended stand-on platform adjustable to the individual weight of the driver



Safe standing at all times: laterally adjustable protective arms ensure that driving is constantly safe



Ready at all times: high availability thanks to optional lateral battery change



Fast and safe: innovative battery plug lock enables fast battery replacement, without the risk of jamming



Maximum power: if the mast is not required, up to 2.0 t can be carried on the initial lift



Maximum turnover performance: 10 km/h top driving speed

## EXV-SF High Lift Pallet Truck with Stand-on Platform

### Power meets innovation

---

Optimal utilisation of storage area: high storage compaction due to very high residual load capacity

Protects the back: air-cushioned stand-on platform which can be adjusted to individual driver's weight

Everything in view, all the time: colour display with a range of language-independent symbols shows you all of the important functions at a glance

High handling rate due to high driving speeds of up to 10 km/h

The EXV-SF high lift pallet truck is unbelievably fast, extremely strong and highly intelligent. With an extended stand-on platform and lateral protective arms, it accelerates to a top speed of 10 km/h, and moves up to 2,000 kg of pallets in record time. Thanks to its huge residual load capacity, it can also store a great deal at a great height – depending on the mast, storage heights of well over five metres are not a problem. This smart warehouse organiser is also the only high lift pallet truck to date with an informative colour display. As well as displaying basic information, such as the battery's state of charge, numerous language-independent symbols facilitate the optimal operation of this strong high lift pallet truck. Together with its powerful



and low-maintenance motor and its precise control elements suitable for either left- or right-handed operators, it can achieve unprecedented reloading of pallets. Optional load capacity display, speed reduction around corners as standard, and optional combi-tiller provide optimum driver safety and enable the EXV-SF to turn and move easily – even in the most confined spaces. The EXV-SF high lift pallet truck, which is as strong as it is smart, means that you can always keep your flow of goods safely under control; from transporting loads within the pre-storage area to operating the shelving system – and you will be thankful for the stand-on platform over longer distances.

## Extensive Equipment

---

### Power

---

- Optimal utilisation of storage space: high storage compaction due to very high residual load capacity
- Strong and fast: up to 2,000 kg lifting capacity and maximum speed of 10 km/h
- High handling rate: powerful, reliable and low-maintenance electrical drive and steering motor
- The right driving programme for all situations: ECO, BOOST or Blue-Q – from maximum handling rate to highest efficiency

### Precision

---

- Fatigue-free operation: precise and intuitive electrical steering unit
- Precise operation even in the most confined spaces: sensitive proportional valve control
- Best view for precise operation: free view mast and centrally mounted tiller ensure clear view of the tips of the forks
- Reliable, even in narrow spaces: compact dimensions, high manoeuvrability and folding stand-on platform

### Ergonomics

---

- Protects the back: can be adjusted to individual driver's weight, air-cushioned stand-on platform
- Ergonomic and intuitive operation: driving, lifting and steering processes can be controlled simultaneously by left- or right-handed operators using just one hand
- Battery changing made easy: optional lateral battery change for even greater availability

### Compactness

---

- High pallet reloading rate: compact size allows for quick and safe operation
- Optimal use of space: copes with very narrow aisles thanks to its compact size and high manoeuvrability

### Safety

---

- All-round safety: height-adjustable side guards keep the driver safe and stable, and provide optimal protection in all driving situations
- Safety in mind: optional load capacity display shows the operator the current mast height and associated residual load capacity at all times
- Safe around corners: Curve Speed Control automatically adapts the speed when cornering to the steering angle
- Maximum safety distance: optional combi-tiller adjusts the distance between truck and operator to increase driving speed in pedestrian mode to 6 km/h

### Environmental Responsibility

---

- Blue-Q efficiency mode allows energy savings of up to 7 per cent at the press of a button, with no loss of performance
- Very few noise emissions due to extremely quiet drive and lifting motor
- Over 95 per cent of all installed materials are recyclable

# EXV-SF High Lift Pallet Truck with Stand-on Platform Equipment Variants



|  |  | EXV-SF 14 | EXV-SF 14i | EXV-SF 16 | EXV-SF 16i | EXV-SF 20 | EXV-SF 20i |
|--|--|-----------|------------|-----------|------------|-----------|------------|
| General  | Display and operating unit with colour display for selection of driving programme                          | ●         | ●          | ●         | ●          | ●         | ●          |
|  | Pneumatically cushioned folding stand-on platform  | ●         | ●          | ●         | ●          | ●         | ●          |
|  | Integrated storage facilities  | ●         | ●          | ●         | ●          | ●         | ●          |
|  | 2-tonne load capacity with initial lift when mast is not used  | —         | ●          | —         | ●          | —         | ●          |
|  | Easy-grip tiller for left and right-handed operators   | ●         | ●          | ●         | ●          | ●         | ●          |
|  | Two-stage setting option for high-precision lifting and lowering   | ●         | ●          | ●         | ●          | ●         | ●          |
|  | New Blue-Q energy-saving system  | ●         | ●          | ●         | ●          | ●         | ●          |
|  | Various non-deflecting fork lengths  | ○         | ○          | ○         | ○          | ●         | ●          |
|  | Various fork lengths for pallet cage   | ●         | ●          | ●         | ●          | —         | —          |
|  | Accessory bar  | ○         | ○          | ○         | ○          | ○         | ○          |
|  | Electric preparation for data terminal   | ○         | ○          | ○         | ○          | ○         | ○          |
|  | Cold storage version   | ○         | ○          | ○         | ○          | ○         | ○          |
|  | High-performance rotary driving motor has very low maintenance costs                                       | ●         | ●          | ●         | ●          | ●         | ●          |
|  | Electrical steering unit: AC steering motor for exceptionally fatigue-free operation                       | ●         | ●          | ●         | ●          | ●         | ●          |
|  | Proportional valve technology for high-precision movements   | ●         | ●          | ●         | ●          | ●         | ●          |
| Mast   | Telescopic mast  | ○         | ○          | ○         | ○          | ○         | ○          |
|  | HiLo mast  | ○         | ○          | ○         | ○          | ○         | ○          |
|  | Triplex mast   | ○         | ○          | ○         | ○          | ○         | ○          |
|  | Mast protective grille   | ●         | ●          | ●         | ●          | ●         | ●          |
|  | Protective mast screen made from polycarbonate   | ○         | ○          | ○         | ○          | ○         | ○          |
|  | Load capacity display  | ○         | ○          | ○         | ○          | ○         | ○          |
|  | Initial lift   | —         | ●          | —         | ●          | —         | ●          |
|  | Automatic lowering of initial lift at 1,500 mm mast height   | —         | ○          | —         | ○          | —         | ○          |
| Wheels   | Drive wheel tyres, polyurethane  | ●         | ●          | ●         | ●          | ●         | ●          |
|  | Drive wheel tyres, polyurethane, profiled  | ○         | ○          | ○         | ○          | ○         | ○          |
|  | Drive wheel tyres, solid rubber  | ○         | ○          | ○         | ○          | ○         | ○          |
|  | Drive wheel tyres, solid rubber, profiled  | ○         | ○          | ○         | ○          | ○         | ○          |
|  | Drive wheel tyres, polyurethane (75 Shore) for better traction   | ○         | ○          | ○         | ○          | ○         | ○          |
|  | Drive wheel tyres, solid rubber, natural-coloured  | ○         | ○          | ○         | ○          | ○         | ○          |
|  | Load roller tyres, polyurethane, single  | ○         | ○          | ○         | ○          | ○         | ○          |
|  | Load roller tyres, polyurethane, tandem  | ●         | ●          | ●         | ●          | ●         | ●          |
|  | Fully enclosed components which are impervious to dirt and dust  | ●         | ●          | ●         | ●          | ●         | ●          |
|  | Stabilising wheel, single  | ●         | ●          | ●         | ●          | —         | —          |
| Stabilising wheel, double  | ○  | ○         | ○          | ○         | ●          | ●         |            |
| Safety   | FleetManager: access authorisation, shock detection, reports   | ○         | ○          | ○         | ○          | ○         | ○          |
|  | Curve Speed Control: speed reduction when driving around corners   | ●         | ●          | ●         | ●          | ●         | ●          |
|  | Combi tiller: Adjustable tiller length for sufficient space between truck and operator                     | ○         | ○          | ○         | ○          | ○         | ○          |
|  | Access authorisation with STILL key  | ●         | ●          | ●         | ●          | ●         | ●          |
|  | Dynamic Load Control and load capacity indicator   | ○         | ○          | ○         | ○          | ○         | ○          |
|  | PIN code access  | ○         | ○          | ○         | ○          | ○         | ○          |
| Battery  | Load backrest  | ●         | ●          | ●         | ●          | ●         | ●          |
|  | Battery compartment for battery up to 250 Ah for battery replacement using crane                           | ●         | ●          | ●         | ●          | ●         | ●          |
|  | Battery compartment for battery up to 375 Ah for battery replacement using crane                           | ○         | ○          | ○         | ○          | ○         | ○          |
|  | Battery compartment for battery up to 375 Ah for battery replacement using roller track and changing frame | ○         | ○          | ○         | ○          | —         | —          |
| Battery compartment for battery up to 500 Ah for battery replacement using roller track and changing frame | ○  | ○         | ○          | ○         | —          | —         |            |
| Built-in charger for battery replacement using crane   | ○  | ○         | ○          | ○         | ○          | ○         |            |

● Standard ○ Option — Not available

# Smart Forxx SIA



## Contact us

If you have any questions or if you want more information we are at your disposal.

61 Matisa, Apt. 24  
Riga LV-1009  
Latvia

### Sales department:

Tel.: +371 29 507 102

### Service department:

Tel.: +371 29 632 267

### E-mail:

[info@smartforxx.lv](mailto:info@smartforxx.lv)

### Online services:

[www.smartforxx.lv](http://www.smartforxx.lv)